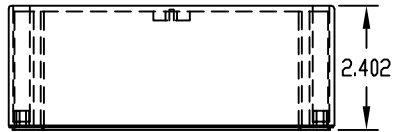


PART NAME NEMA 4X ENCLOSURE

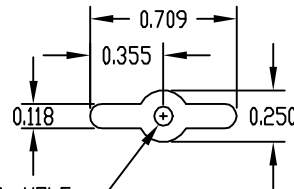
PART No. PN-1339, PN-1339-C AND PN-1339-DG

INDUSTRY STANDARDS:

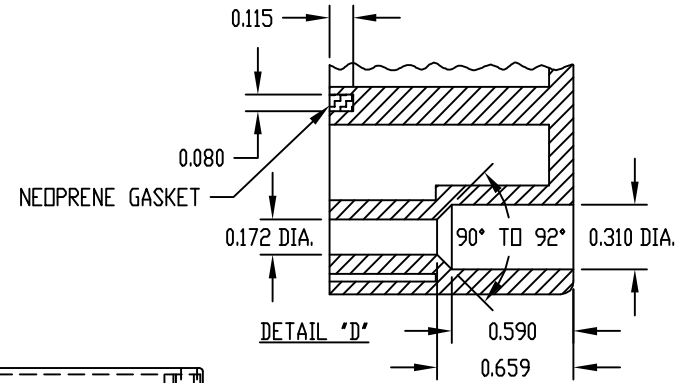
POLYCARBONATE (LIGHT GRAY AND CLEAR)
 UL94V-2 FLAMMABILITY RATING (UL FILE #E41613)
 UV STABILIZED
 SERVICE TEMPERATURE RANGE: -40°C TO +120°C
 ABS (DARK GRAY)
 UL94-HB FLAMMABILITY RATING (UL FILE #E56070)
 SERVICE TEMPERATURE RANGE: -40°C TO +80°C



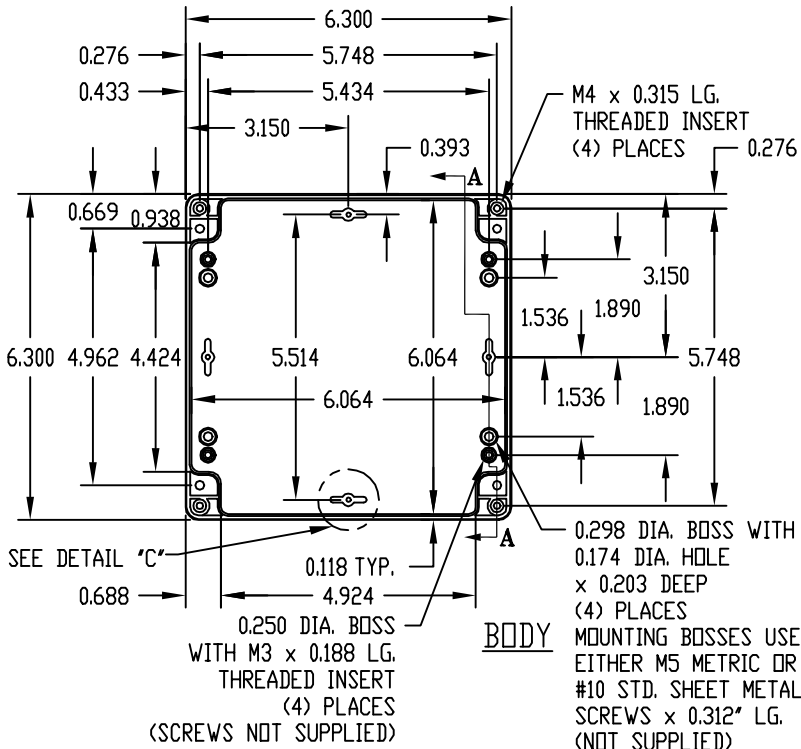
0.090 DIA. HOLE
 x 0.203 DEEP
 MOUNTING BOSSES USE EITHER
 M2.5 METRIC OR #4 STD. SHEET
 METAL SCREWS x 0.188" LG.
 (NOT SUPPLIED)



DETAIL 'C'
 (4) PLACES



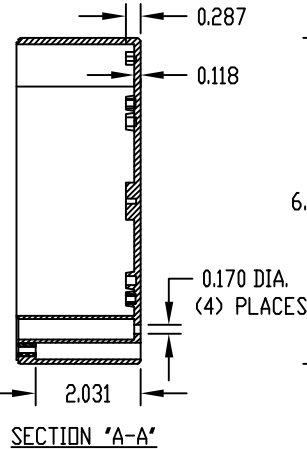
DETAIL 'D'



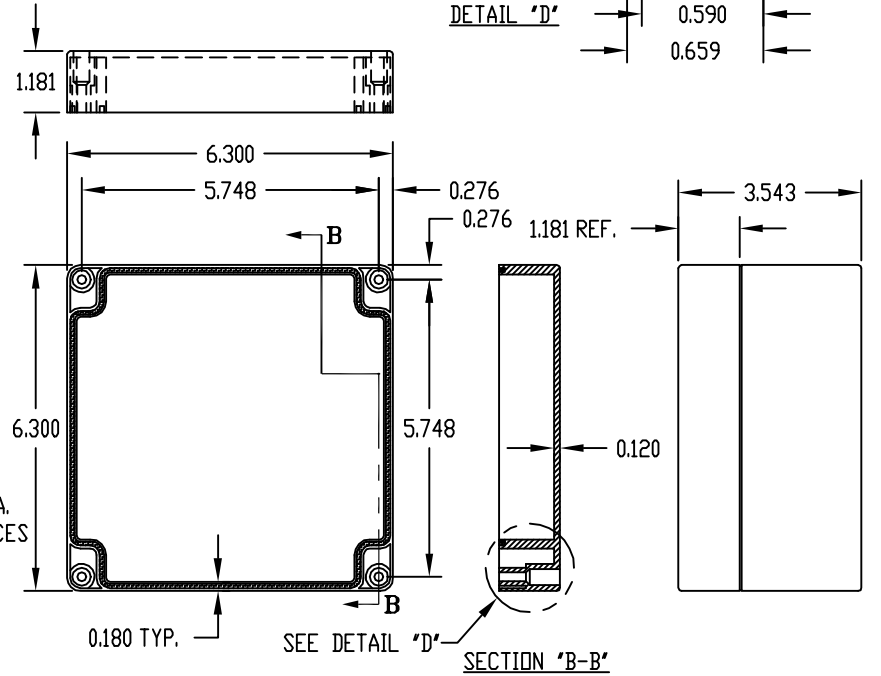
BODY

M4 x 0.315 LG.
 THREADED INSERT
 (4) PLACES

0.298 DIA. BOSS WITH
 0.174 DIA. HOLE
 x 0.203 DEEP
 (4) PLACES
 MOUNTING BOSSES USE
 EITHER M5 METRIC OR
 #10 STD. SHEET METAL
 SCREWS x 0.312" LG.
 (NOT SUPPLIED)



SECTION 'A-A'



COVER

NOTE: ALL DIMENSIONS HAVE ±0.015 TOLERANCE UNLESS OTHERWISE SPECIFIED.

PART NUMBER	MATERIAL		FINISH		HARDWARE KIT
	BODY	COVER	BODY	COVER	
PN-1339	POLYCARBONATE		LIGHT GRAY		KIT CONTAINS (4) M4 x 20mm (0.787") LG. SCREWS FOR ASSEMBLY
PN-1339-C	POLYCARBONATE		LIGHT GRAY	CLEAR	
PN-1339-DG	HIGH-IMPACT ABS		DARK GRAY		